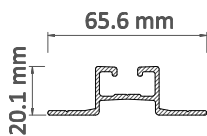
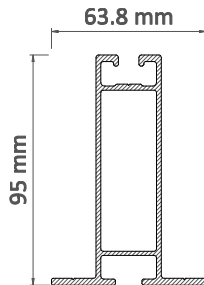


Unmachined Aluminium profile

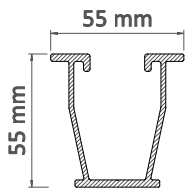
PS Direct series profiles



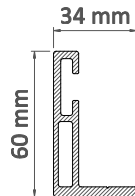
PS-10



PS-10Mx



PS-41

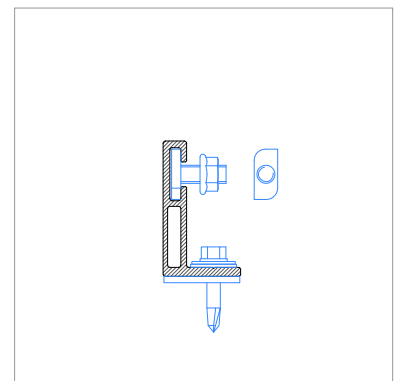
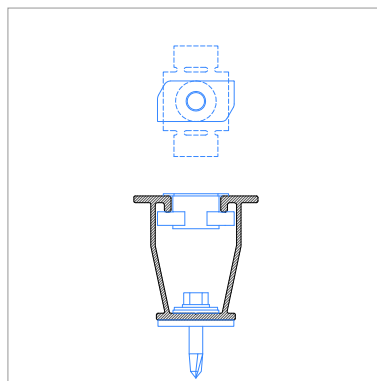
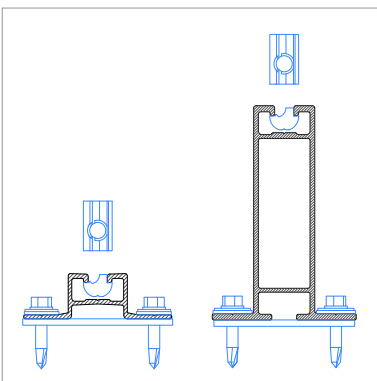


PS-11



- Profiles for mounting on covers with minimum investment on anchorage.
- Possibility to cut lengths of up to 12m with a tolerance for small sizes up to 0.1mm.
- They are complemented by self-adhesive EPDM (pre-mounted on request).
- Guide rails for T-Slot nut and 28/15 bolt.
- Made of high quality aluminium 6082-T6.

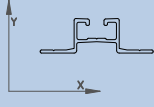
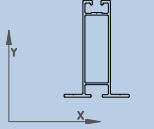
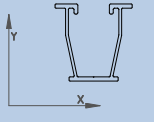
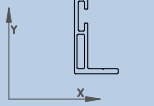
Reference	Name
1.01.0018-0	Unmachined Aluminium profile : PS10 Direct series
1.01.0023.0	Unmachined Aluminium profile : PS10MX Direct series
1.01.0009-0	Unmachined Aluminium profile : PS11 Direct series
1.01.0003-0	Unmachined Aluminium profile : PS41 Direct series



Unmachined Aluminium profile

PS Direct series profiles

	$F_{y0,2}$ (N/mm ²)	F_u (N/mm ²)	E (N/mm ²)	G (N/mm ²)	ν	ρ (Kg/m ³)
Profiles, Aluminium EN AW- 6082-T6	250	290	70.000	27.000	0,3	2.700

MECHANICAL PROPERTIES	AREA (cm ²)	I_x (cm ⁴)	I_y (cm ⁴)	W_x (cm ³)	W_y (cm ³)	Av_y (cm ²)
 PS-10	2,15	1,00	5,32	0,82	1,63	0,60
 PS-10MX	6,47	74,69	12,38	14,01	3,88	3,31
 PS-41	4,43	19,84	12,25	8,63	6,97	2,05
 PS-11	4,18	16,92	3,13	4,59	1,22	1,51

