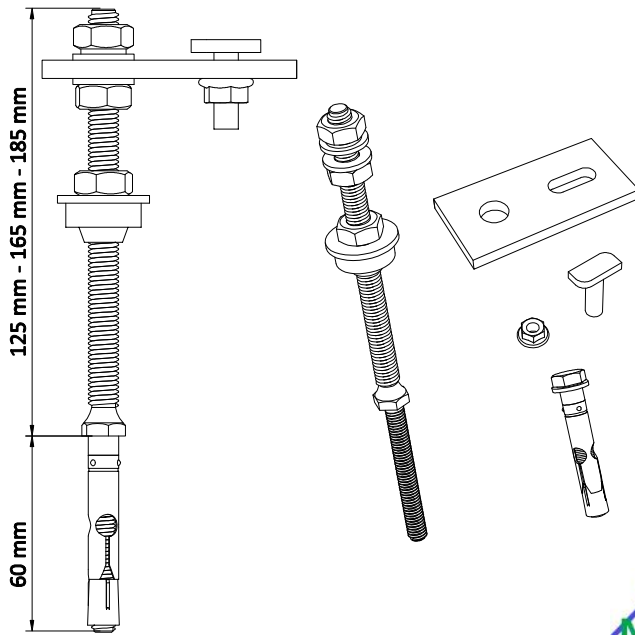


Anchors for covers

Anchor for concrete hollow beam M10xL/M8-60+ EPDM

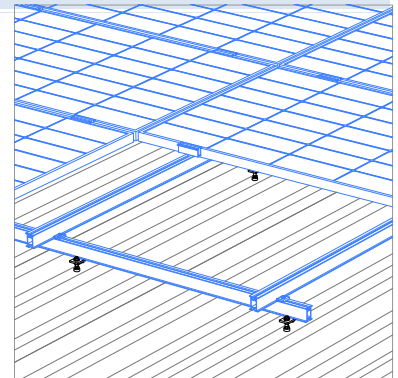
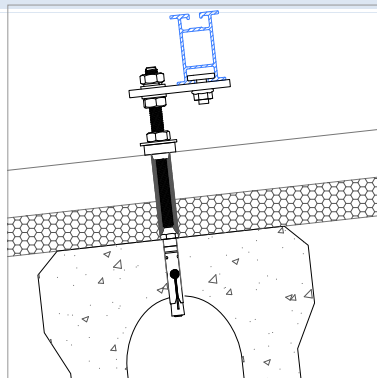
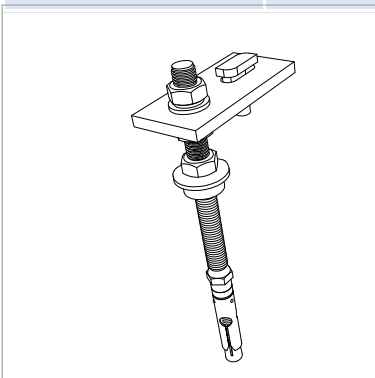


- Anchorage with EPDM joint and Stainless Steel fasteners.
- Fasteners and steel plate (83x40mm) included. The plate have a slotted hole to fix any type of profiles.
- Suitable for anchoring in concrete beams, both solid and hollow.

Inox A2 EPDM



Reference	Name
1.06.0013-1012583	M10x125 fastening with mechanical anchoring M8x60 + EPDM + 83mm Steel plate
1.06.0013-1016583	FM10 x165 fastening with mechanical anchoring M8x60 + EPDM + 83mm Steel plate
1.06.0013-1018583	M10x185 fastening with mechanical anchoring M8x60 + EPDM + 83mm Steel plate
1.06.0013-10125	M10x125 fastening with mechanical anchoring M8x60 + EPDM
1.06.0013-10165	M10 x165 fastening with mechanical anchoring M8x60 + EPDM
1.06.0013-10185	M10x185 fastening with mechanical anchoring M8x60 + EPDM



Anchors for covers

Anchor for concrete hollow beam M10xL/M8-60+ EPDM

	Torque (Nm)	F _{y0.2} (N/mm ²)	F _u (N/mm ²)	E (N/mm ²)	G (N/mm ²)	v	ρ (Kg/m ³)
Stainless Steel Plate UNE/EN 10088		230	520	210.000	81.000	0,3	7.850
Stainless Steel screw A2-70		450	700				
Stainless Steel screw A2-70 / M8	18	450	700				

MECHANICAL PROPERTIES	AREA (cm ²)	I _x (cm ⁴)	W _x (cm ³)	Av _y (cm ²)
	2.40	0.07	0.24	2.40

DIMENSIONS

L	FASTENING
0 mm - 40 mm	M10x125mm
40 mm - 80 mm	M10x165mm
80 mm - 110 mm	M10x185mm